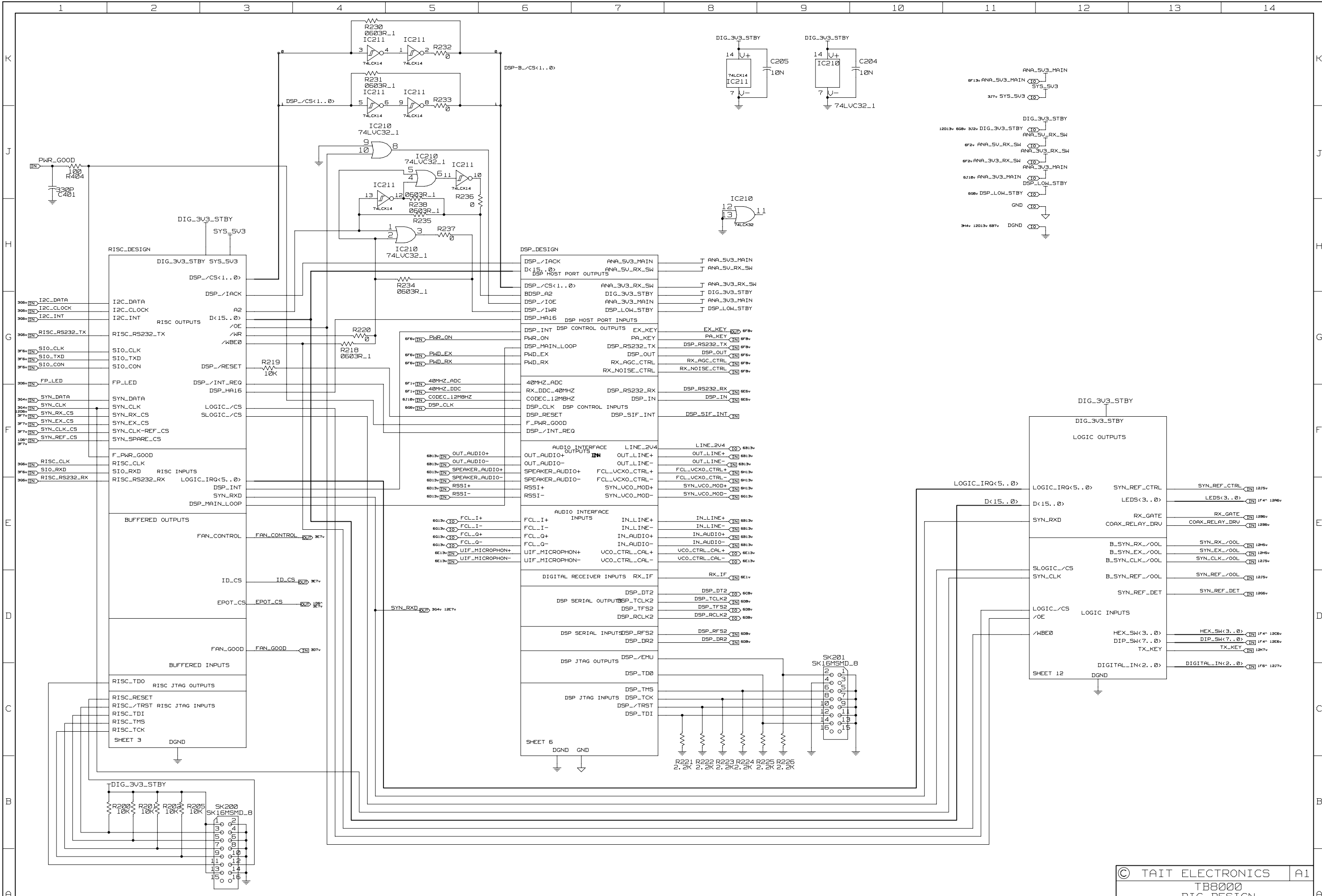


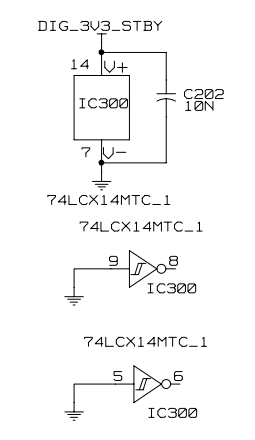
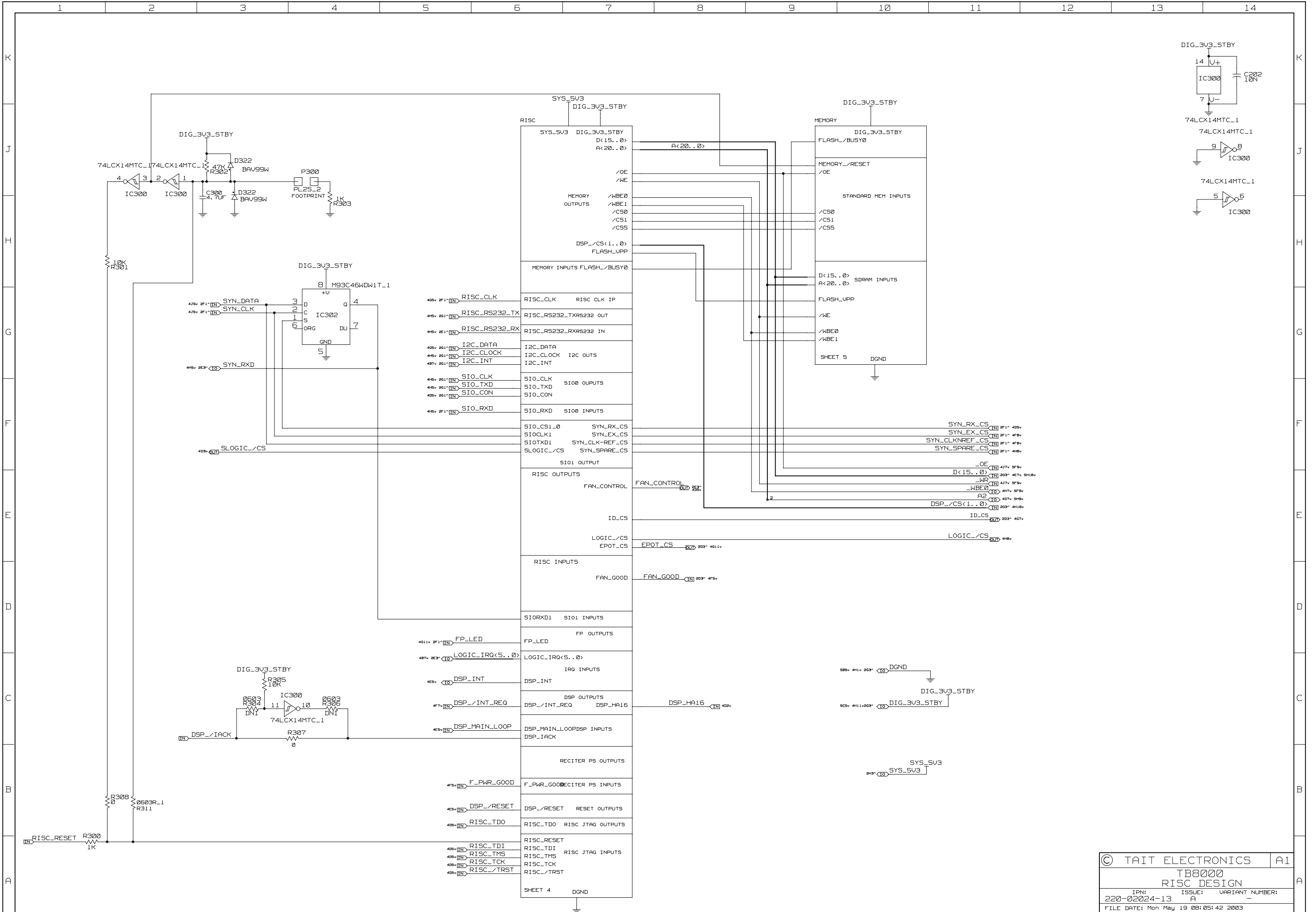
13A	ECO E002603	SA	MN	CK	MN	16/5/03
REV/ISS	AMENDMENTS	DRAWN	CHKD	D.O.	APVD	DATE
1		3		4		5

© TAIT ELECTRONICS		A1
T88000 RECITER CONTROL		
IPN:	220-02024-13	ISSUE: A
FILE DATE:	Mon May 19 08:05:39 2003	VARIANT NUMBER: -
ENGINEER:	MN	FILE NAME: 220_02024
		SHEET NUMBER: 1 OF 18



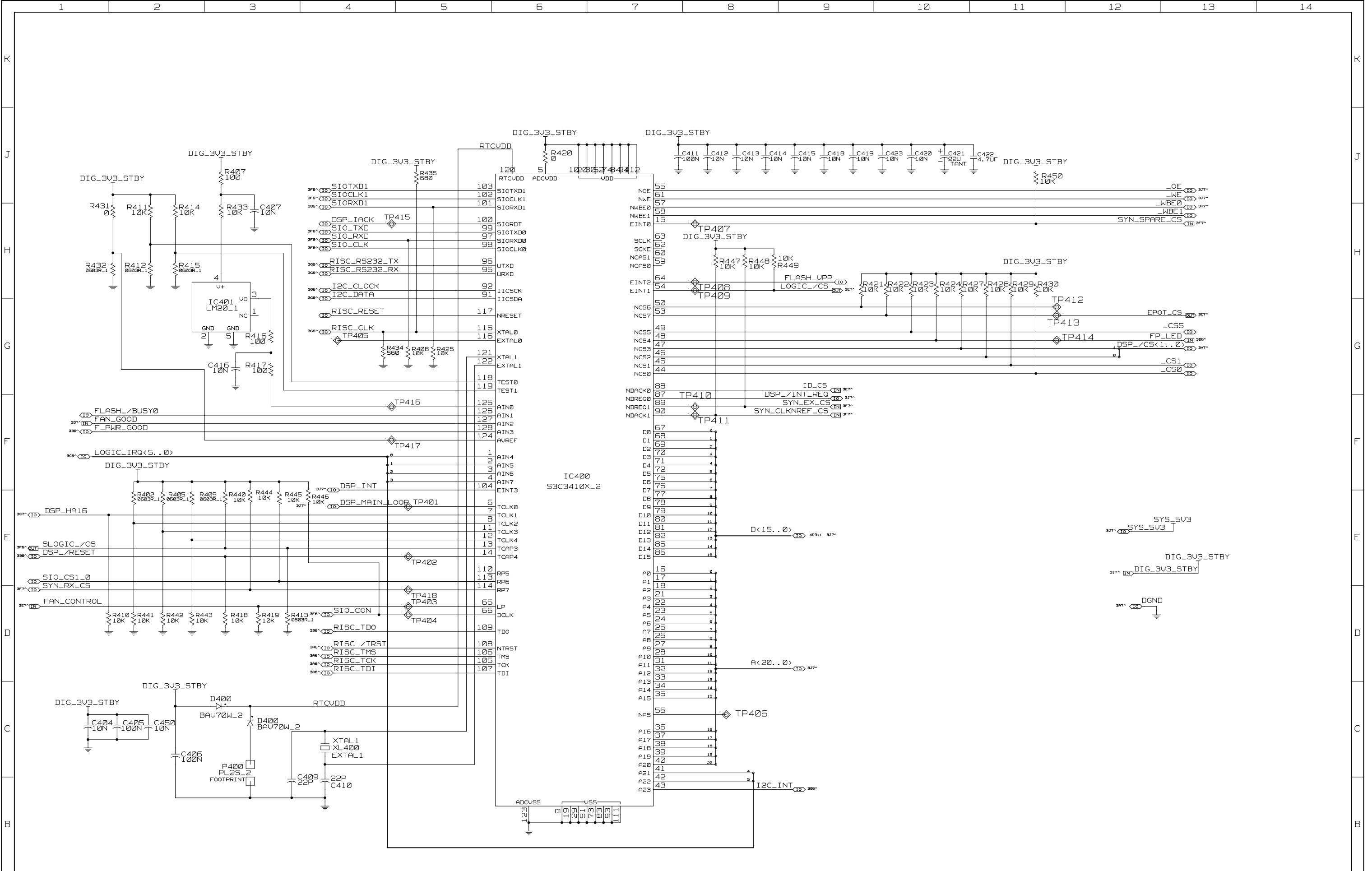
© TAIT ELECTRONICS		A1
T88000 DIG DESIGN		
IPN: 220-02024-13	ISSUE: A	VARIANT NUMBER: -
FILE DATE: Mon May 19 08:05:41 2003		
ENGINEER: MN	FILE NAME: 220_02024	SHEET NUMBER: 2 OF 18

REV/ISS	AMENDMENTS	DRAWN	CHKD	D.O.	APVD	DATE
1						



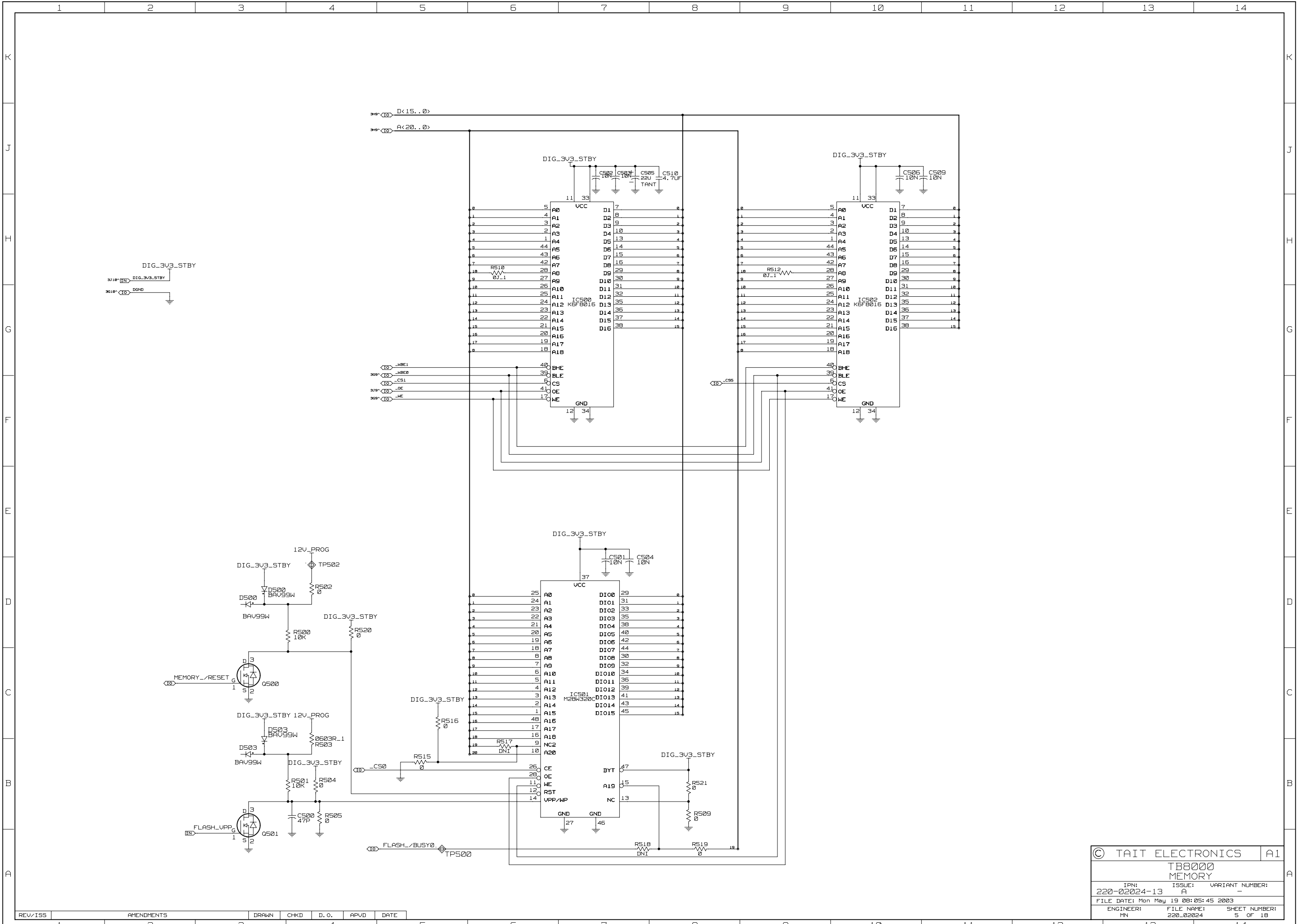
© TAIT ELECTRONICS		A1
TB8000		
RISC DESIGN		
IPN: 220-02024-13	ISSUE: A	VARIANT NUMBER: -
FILE DATE: Mon May 19 08:05:42 2003		
ENGINEER: MN	FILE NAME: 220_02024	SHEET NUMBER: 3 OF 18

REV/ISS	AMENDMENTS	DRAWN	CHKD	D.O.	APVD	DATE
1						



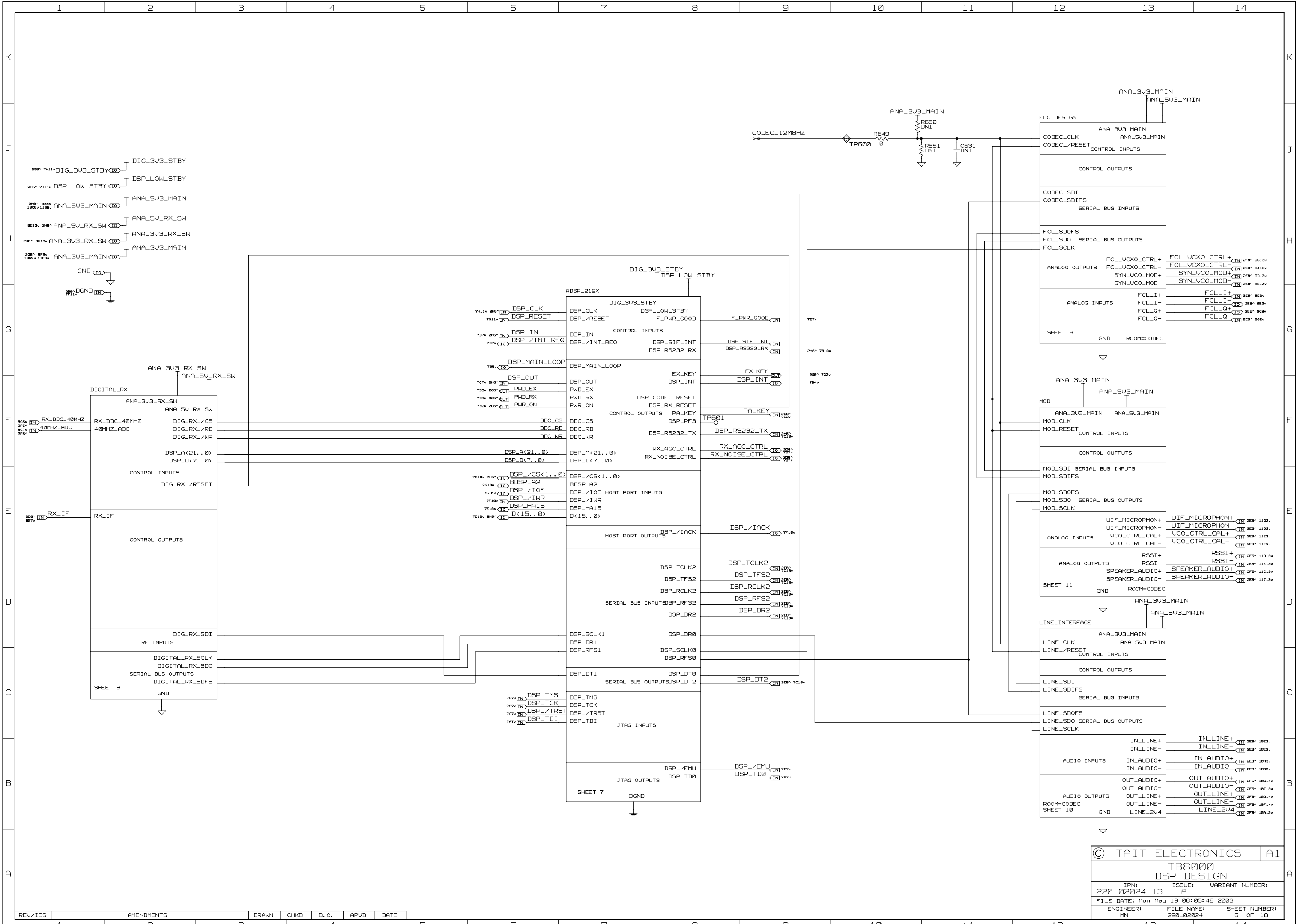
REV/ISS	AMENDMENTS	DRAWN	CHKD	D.O.	APVD	DATE
1						
2						

© TAIT ELECTRONICS		A1
T8800 RISC		
IPN: 220-02024-13	ISSUE: A	VARIANT NUMBER: -
FILE DATE: Mon May 19 08:05:44 2003		
ENGINEER: MN	FILE NAME: 220_02024	SHEET NUMBER: 4 OF 18



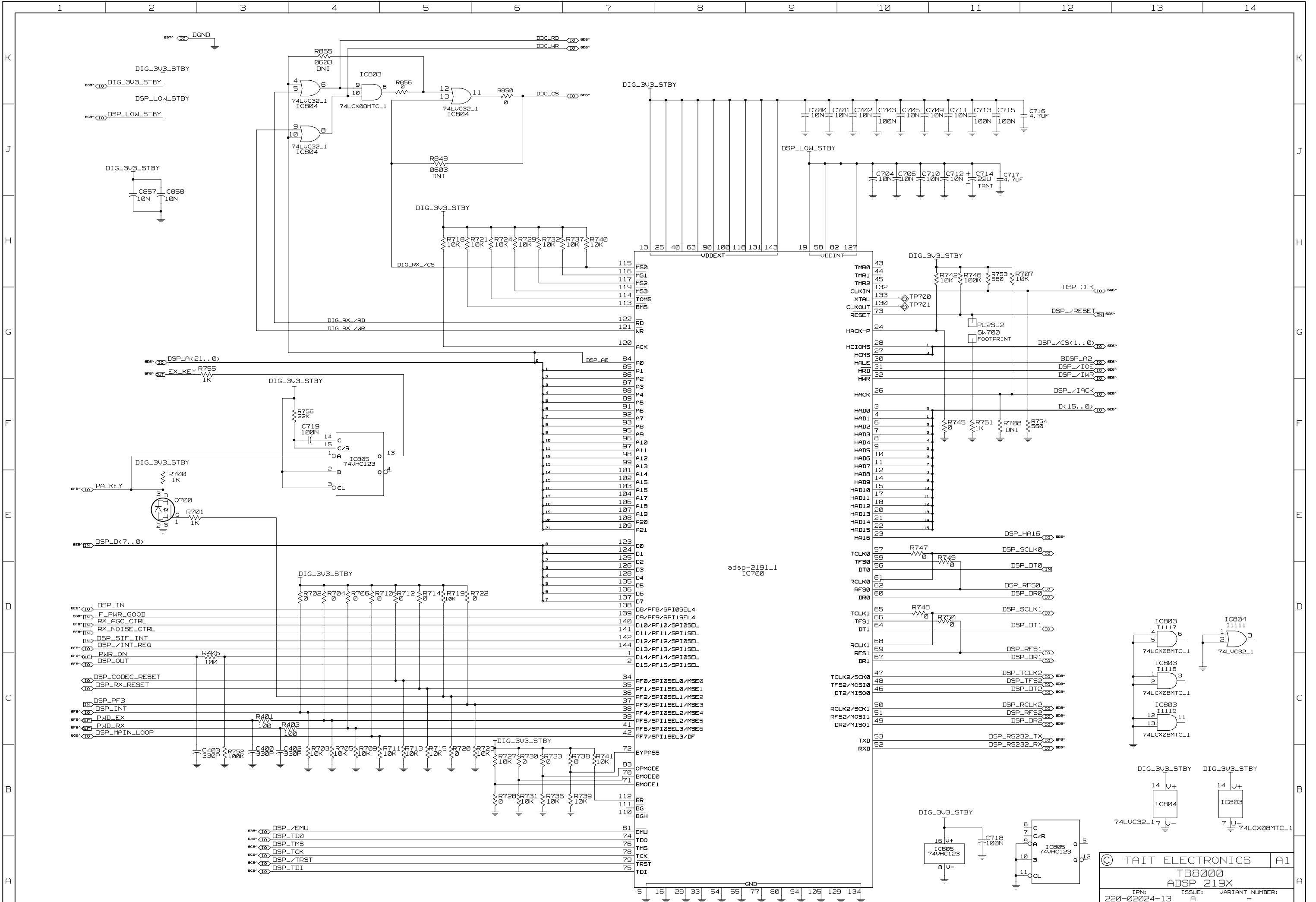
© TAIT ELECTRONICS		A1
TB8000 MEMORY		
IPN: 220-02024-13	ISSUE: A	VARIANT NUMBER: -
FILE DATE: Mon May 19 08:05:45 2003		
ENGINEER: MN	FILE NAME: 220_02024	SHEET NUMBER: 5 OF 18

REV/ISS	AMENDMENTS	DRAWN	CHKD	D.O.	APVD	DATE
1						



© TAIT ELECTRONICS		A1
T88000 DSP DESIGN		
IPN: 220-02024-13	ISSUE: A	VARIANT NUMBER: -
FILE DATE: Mon May 19 08:05:45 2003		
ENGINEER: MN	FILE NAME: 220_02024	SHEET NUMBER: 6 OF 18

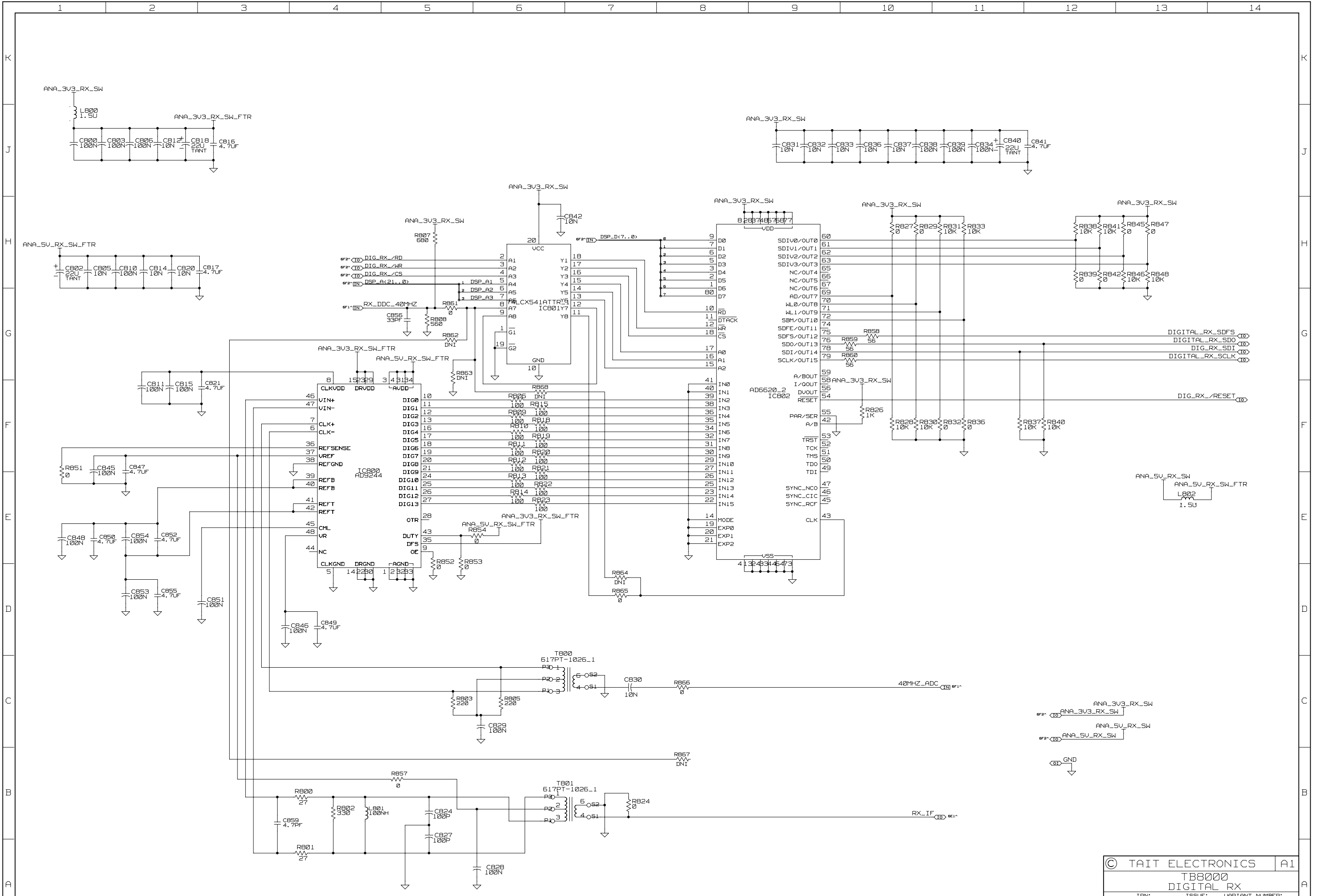
REV/ISS	AMENDMENTS	DRAWN	CHKD	D.O.	APVD	DATE
1						



adsp-2191.1
IC700

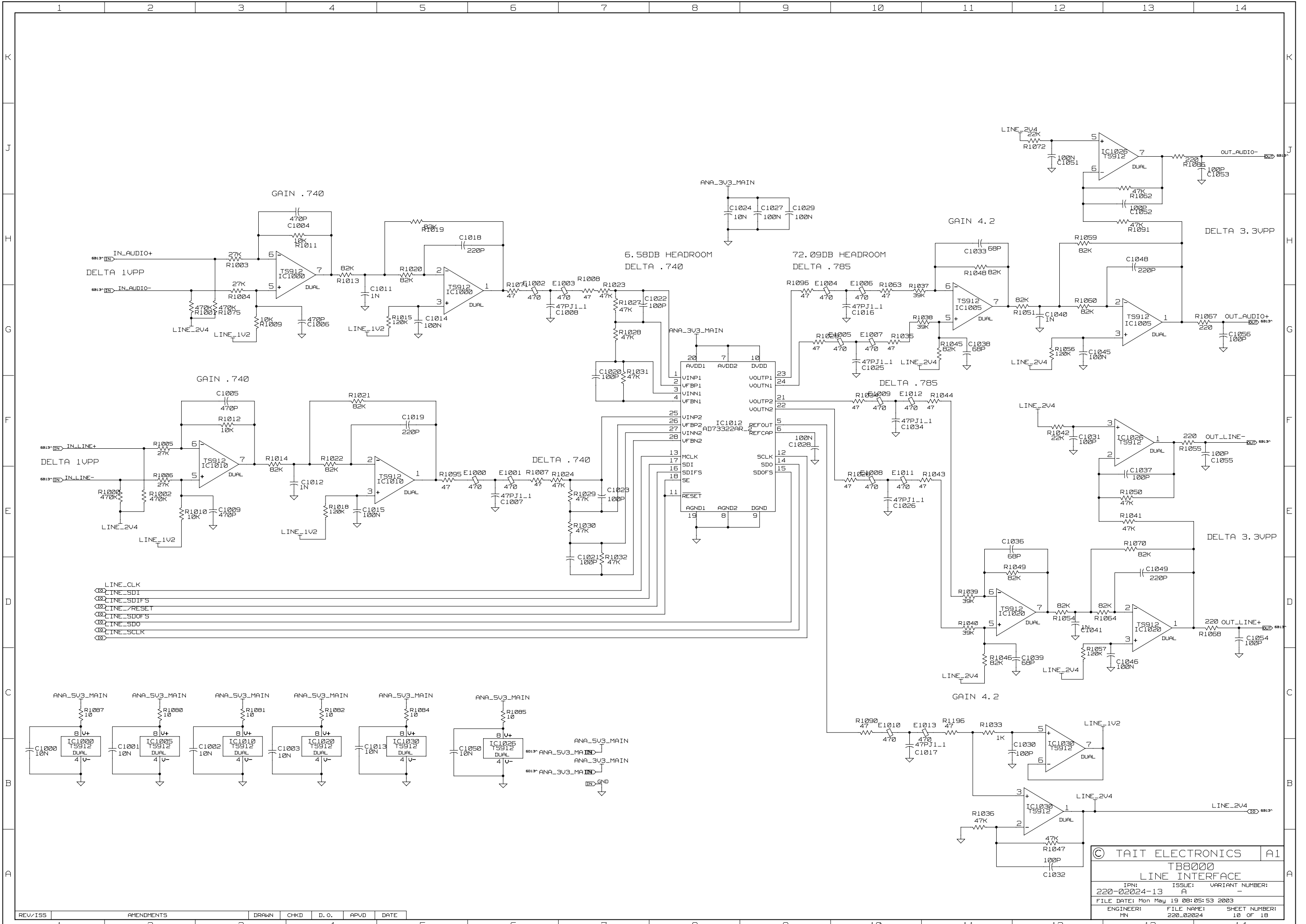
© TAIT ELECTRONICS		A1
T88000 ADSP 219X		
IPN: 220-02024-13	ISSUE: A	VARIANT NUMBER: -
FILE DATE: Mon May 19 08:05:48 2003		
ENGINEER: MN	FILE NAME: 220_02024	SHEET NUMBER: 7 OF 18

REV/ISS	AMENDMENTS	DRAWN	CHKD	D.O.	APVD	DATE
1						



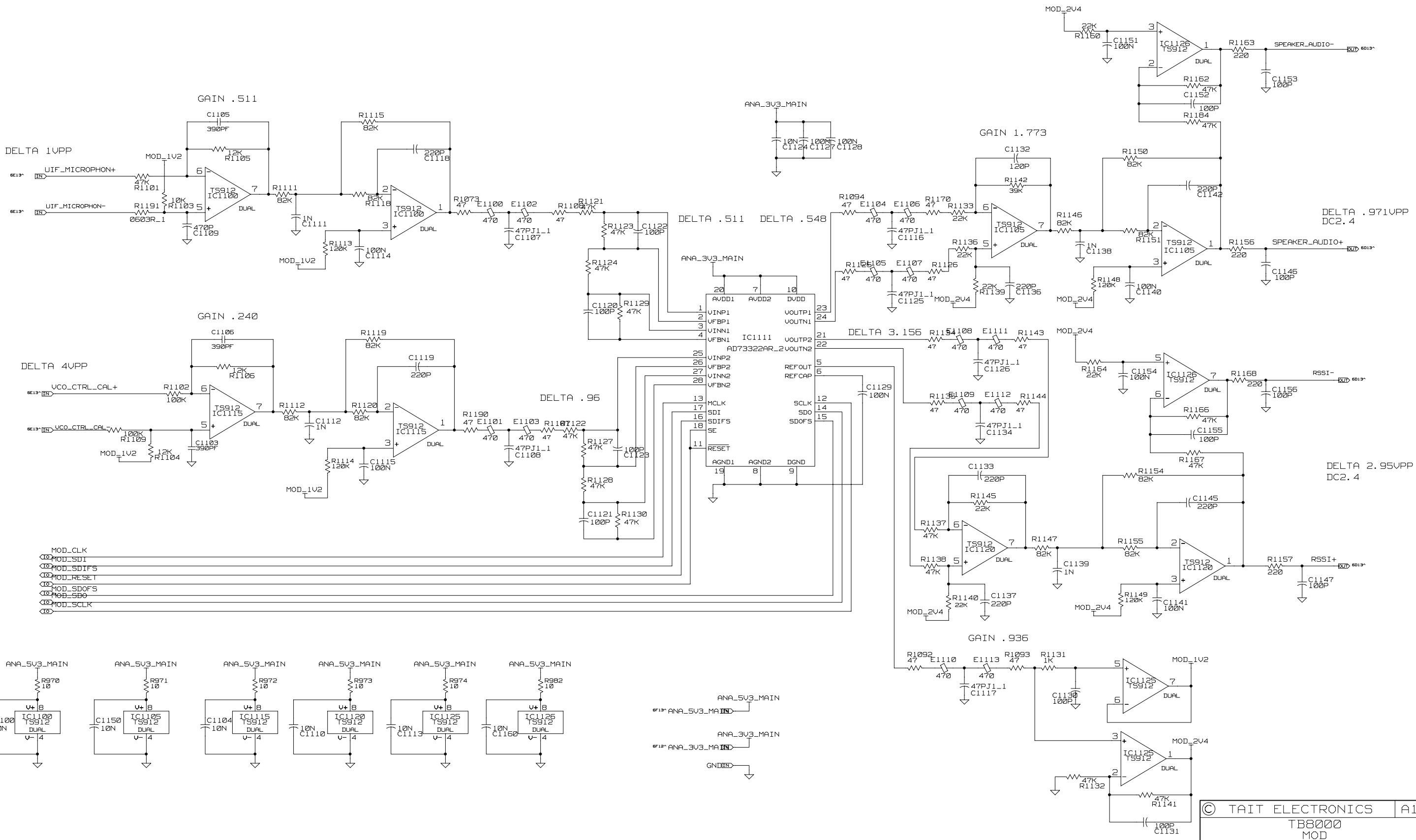
© TAIT ELECTRONICS		A1
T8000 DIGITAL RX		
IPN: 220-02024-13	ISSUE: A	VARIANT NUMBER: -
FILE DATE: Mon May 19 08:05:50 2003		
ENGINEER: MN	FILE NAME: 220_02024	SHEET NUMBER: 8 OF 18

REV/ISS	AMENDMENTS	DRAWN	CHKD	D.O.	APVD	DATE
1						



© TAIT ELECTRONICS		A1
T88000		
LINE INTERFACE		
IPN:	ISSUE:	VARIANT NUMBER:
220-02024-13	A	-
FILE DATE: Mon May 19 08:05:53 2003		
ENGINEER:	FILE NAME:	SHEET NUMBER:
MN	220_02024	10 OF 18

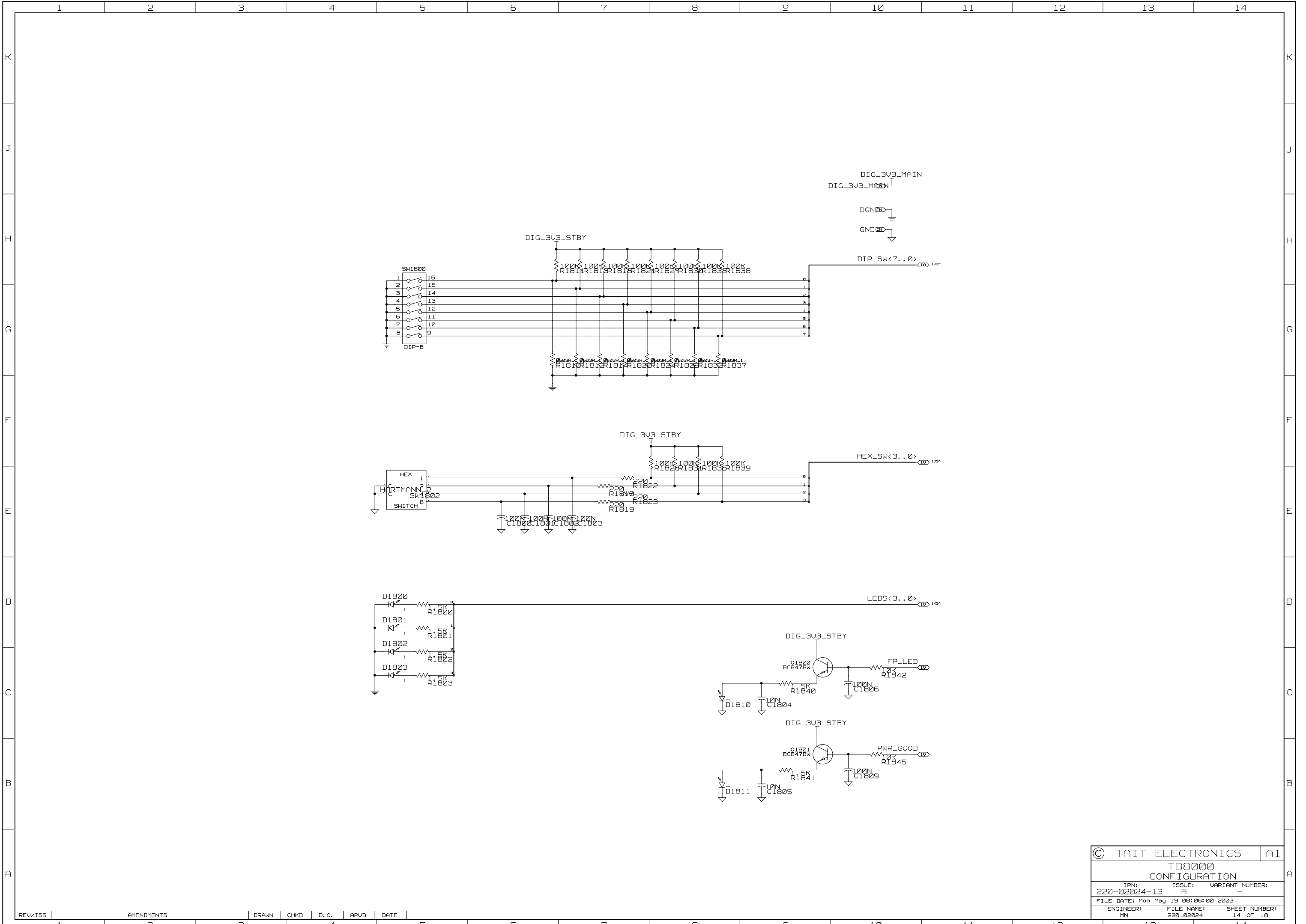
REV/ISS	AMENDMENTS	DRAWN	CHKD	D.O.	APVD	DATE
1						



- MOD_CLK
- MOD_SDI
- MOD_SDIFS
- MOD_RESET
- MOD_SDOFS
- MOD_SDO
- MOD_SCLK

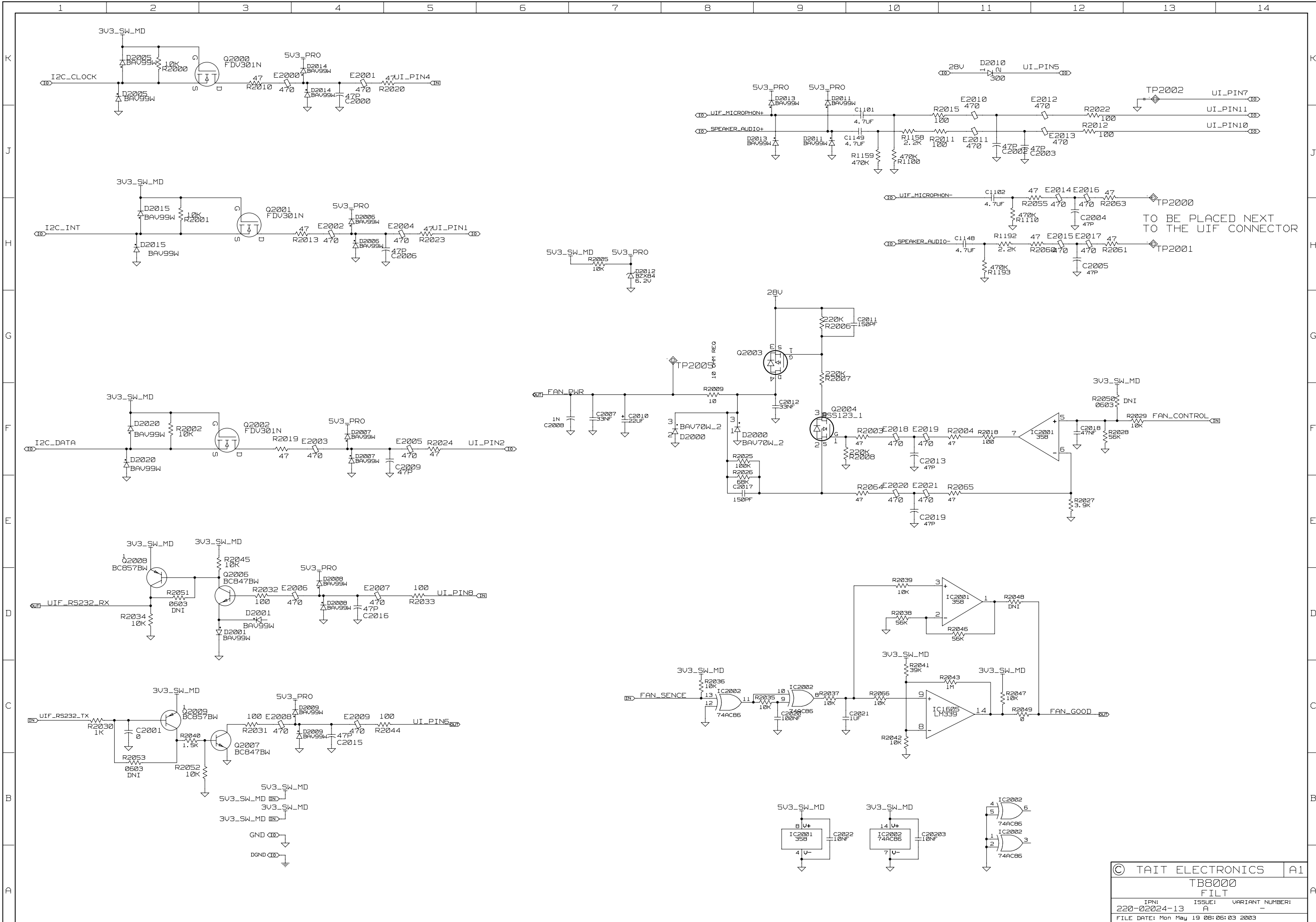
© TAIT ELECTRONICS		A1
T8800 MOD		
IPN: 220-02024-13	ISSUE: A	VARIANT NUMBER: -
FILE DATE: Mon May 19 08:05:55 2003		
ENGINEER: MN	FILE NAME: 220_02024	SHEET NUMBER: 11 OF 18

REV/ISS	AMENDMENTS	DRAWN	CHKD	D.O.	APVD	DATE
1						



© TAIT ELECTRONICS		A1
T8800 CONFIGURATION		
IPN: 220-02024-13	ISSUE: A	VARIANT NUMBER: -
FILE DATE: Mon May 19 08:06:00 2003		
ENGINEER: MN	FILE NAME: 220_02024	SHEET NUMBER: 14 OF 18

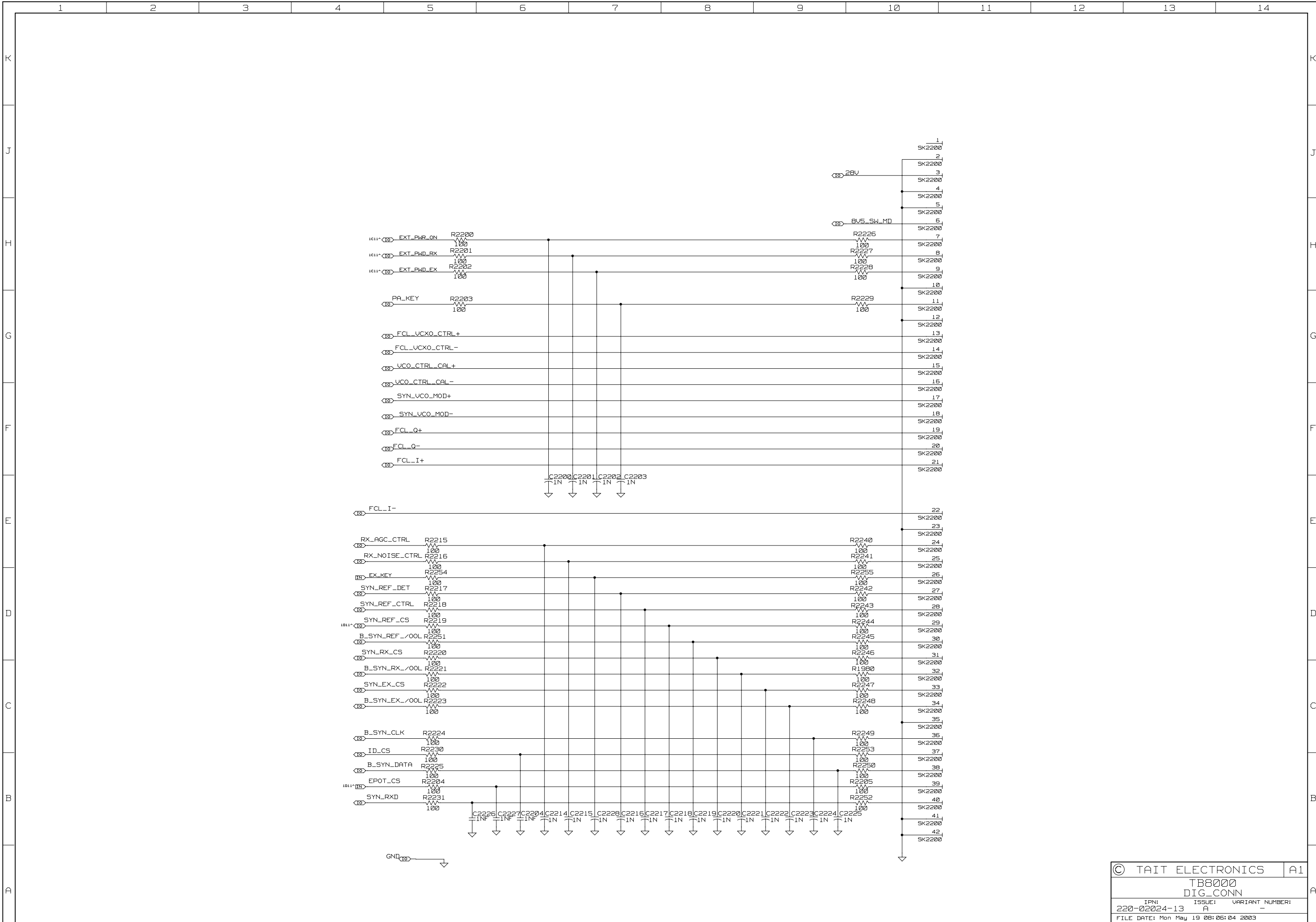
REV/ISS	AMENDMENTS	DRAWN	CHKD	D.O.	APVD	DATE
1						



TO BE PLACED NEXT TO THE UIF CONNECTOR

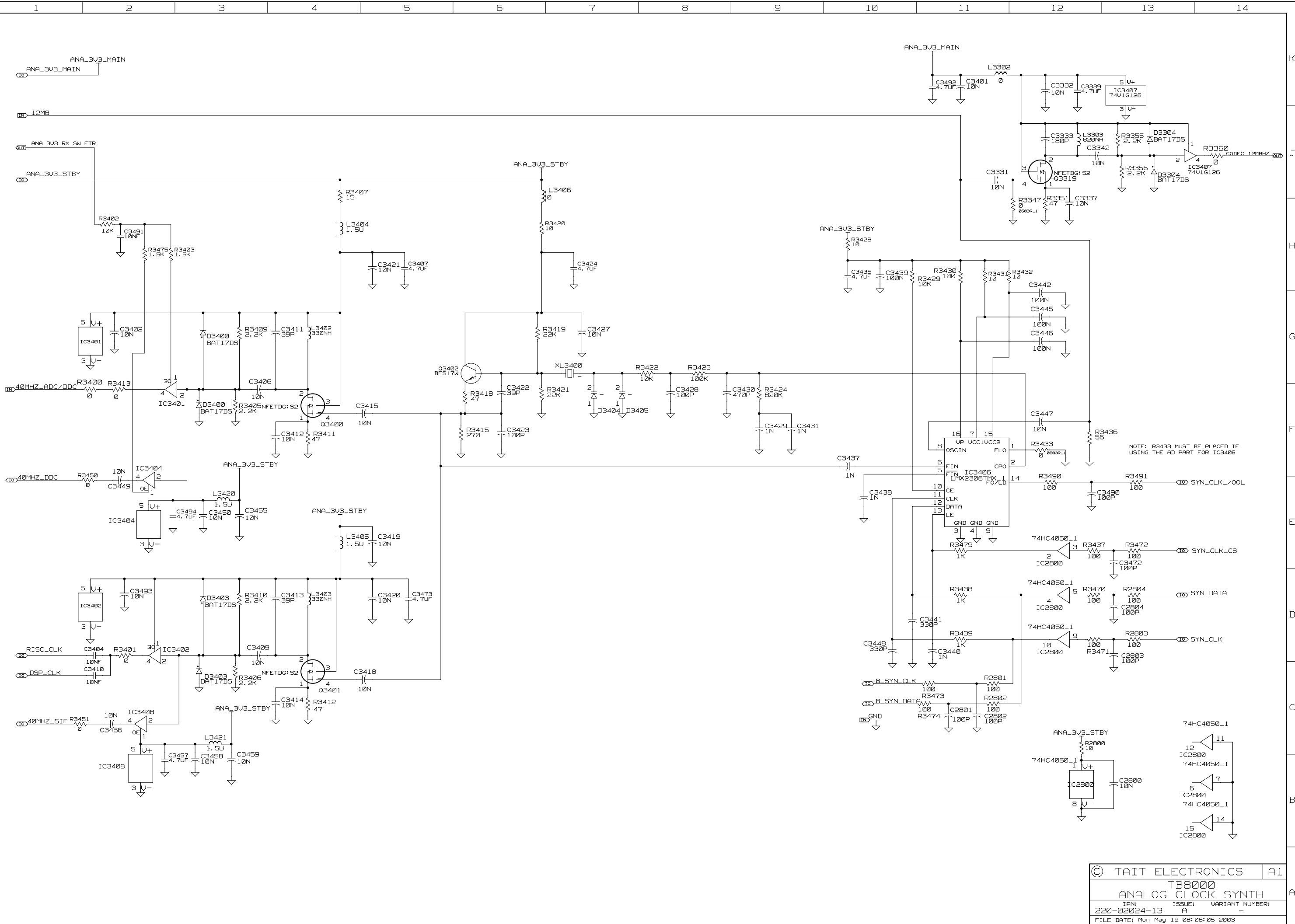
© TAIT ELECTRONICS		A1
T88000		
FILT		
IPN:	ISSUE:	VARIANT NUMBER:
220-02024-13	A	-
FILE DATE: Mon May 19 08:05:03 2003		
ENGINEER:	FILE NAME:	SHEET NUMBER:
MN	220_02024	16 OF 18

REV/ISS	AMENDMENTS	DRAWN	CHKD	D.O.	APVD	DATE
1				4		
2						
3						
4						
5						
6						
7						
8						
9						
10						
11						
12						
13						
14						



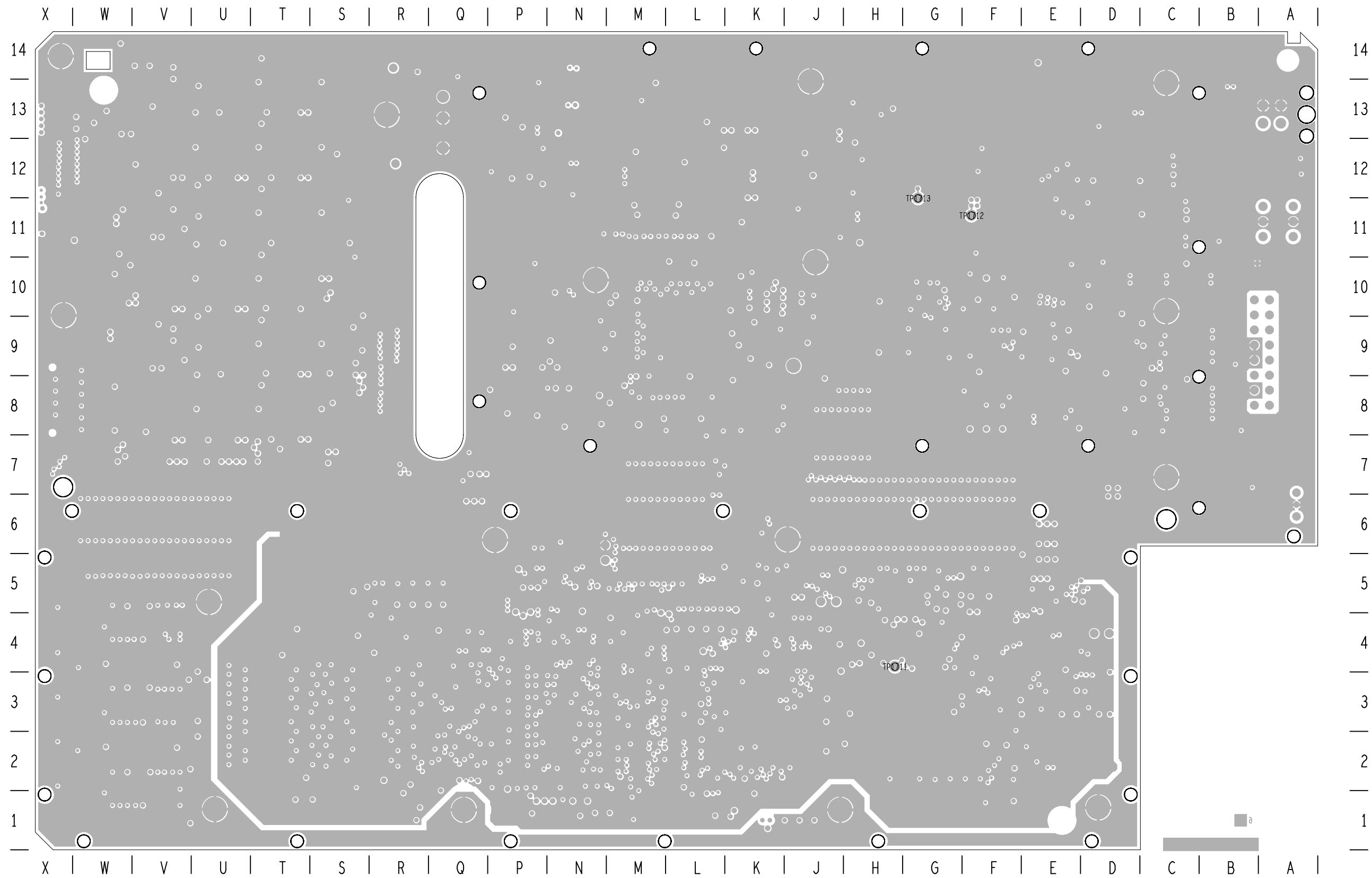
© TAIT ELECTRONICS		A1
T88000 DIG_CONN		
IPN: 220-02024-13	ISSUE: A	VARIANT NUMBER: -
FILE DATE: Mon May 19 08:06:04 2003		
ENGINEER: MN	FILE NAME: 220_02024	SHEET NUMBER: 17 OF 18

REV/ISS	AMENDMENTS	DRAWN	CHKD	D.O.	APVD	DATE
1						



© TAIT ELECTRONICS		A1
T88000		
ANALOG CLOCK SYNTH		
IPN:	ISSUE:	VARIANT NUMBER:
220-02024-13	A	-
FILE DATE: Mon May 19 08:06:05 2003		
ENGINEER:	FILE NAME:	SHEET NUMBER:
MN	220_02024	18 OF 18

REV/ISS	AMENDMENTS	DRAWN	CHKD	D.O.	APVD	DATE
1						



	IPN:	AssyISS:	DATE:
	220-02024-13	A	16May03
TB8000 Reciter Control 220-02024-13_LAYOUT-SECONDARY-SIDE			

NOT TO SCALE